



WATER MANAGEMENT SYSTEMS, INC.

AUTOMATIC SEPARATOR PURGE CONTROLLER

The Yardney Automatic Purge Controller is designed to purge the separator's collection chamber either automatically or manually. The purge controller is designed for use with either the motorized ball valve or diaphragm valves that are supplied.

Auto/Manual Switch

The position of this switch determines if the purge controller is in the auto or manual mode.

In the auto position, the purge controller will automatically purge the separator at a predetermined interval and for a predetermined amount of time.

In the manual position power is disconnected from the timer and manual operation of the purge valve is now possible by using the open and close switch. This switch is spring loaded and must be held in position.

If a motorized ball valve is used the switch must be held into the open or closed position until the valve completes its travel.

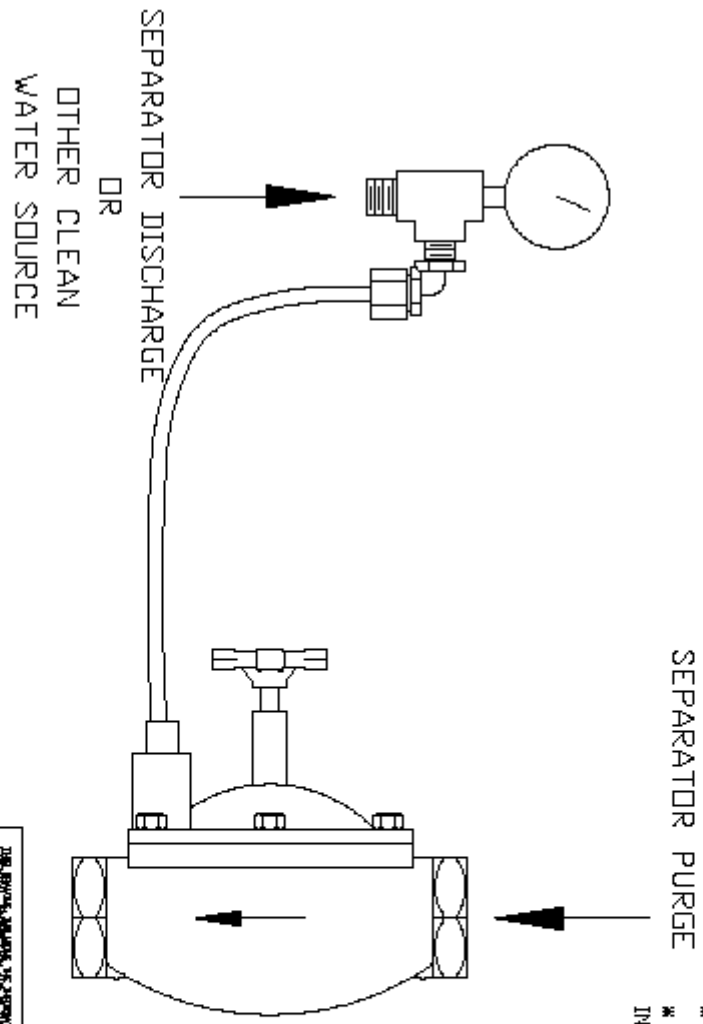
If a diaphragm valve is used then the open position is used to energize the solenoid and open the valve. If the switch is released then the solenoid will de-energize and the valve will close ending the purge cycle.

Time Settings

Off Time - This is used to set the purge cycle frequency.

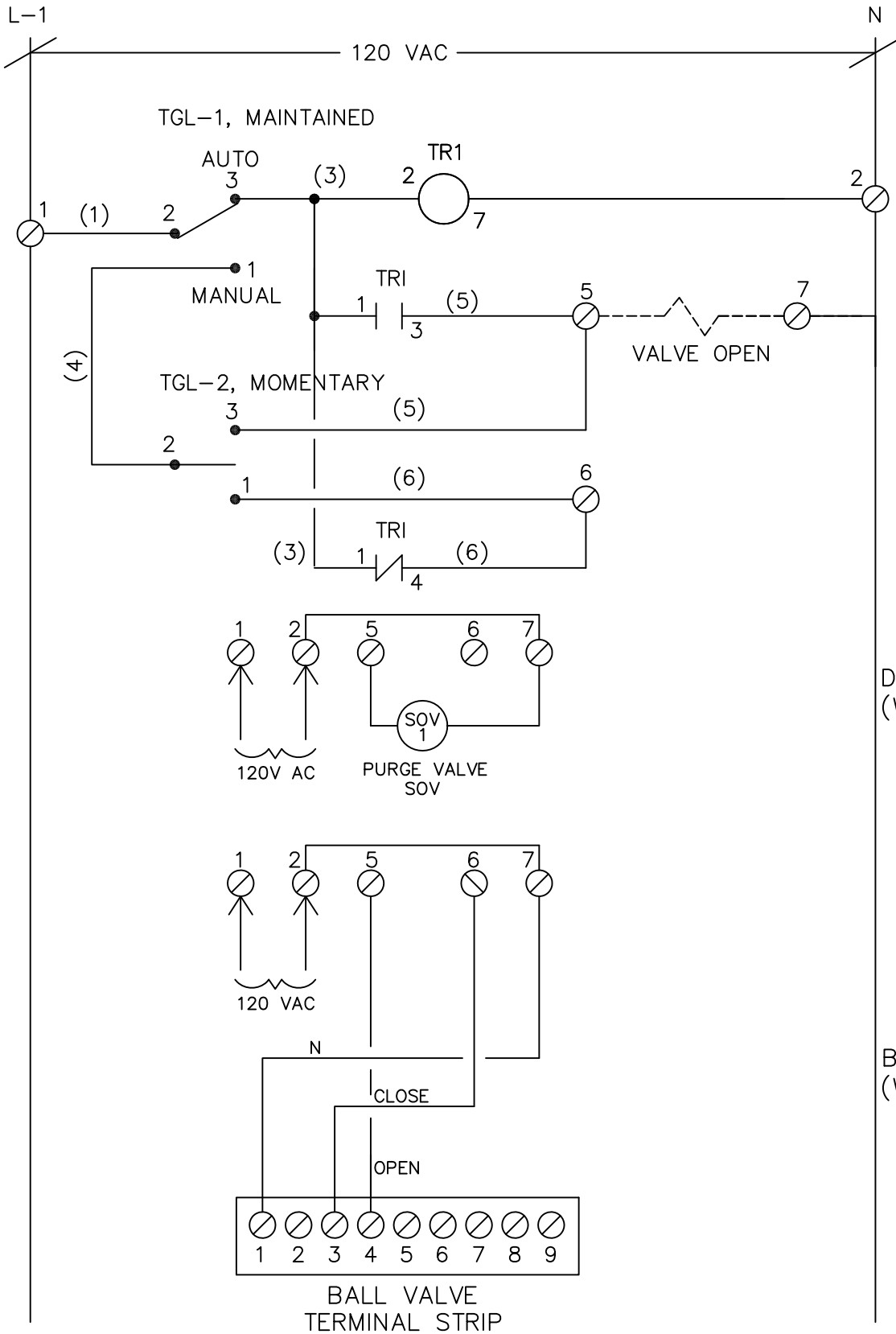
On Time - This is used to set the length of the purge time.

SEPARATOR AUTO PURGE DIAPHRAGM VALVE



- * INSTALL WATER PICKUP TUBE FITTING ON DISCHARGE SIDE OF SEPARATOR. OR ON OTHER CLEAN WATER SOURCE. ALTERNATE SOURCE WATER PRESSURE MUST BE EQUAL TO OR GREATER THAN LINE PRESSURE (200 PSI MAX.).
- * INSTALL PURGE VALVE ON PURGE PORT OF SEPARATOR. FLOW ARROW ON VALVE MUST POINT AWAY FROM SEPARATOR.
- * MAXIMUM PRESSURE 200 PSI.
- * SEE REVERSE FOR ELECTRICAL INSTALLATION INSTRUCTIONS.

<p>THIS PRODUCT IS A REGISTERED TRADEMARK OF YARDNEY WATER MANAGEMENT SYSTEMS, INC. ALL RIGHTS RESERVED. THE USE OF THIS PRODUCT IS LIMITED TO THE ORIGINAL INTENT OF THE MANUFACTURER. THE USER SHALL BE RESPONSIBLE FOR THE PROPER INSTALLATION AND MAINTENANCE OF THIS PRODUCT. THE USER SHALL BE RESPONSIBLE FOR THE PROPER USE OF THIS PRODUCT. THE USER SHALL BE RESPONSIBLE FOR THE PROPER DISPOSAL OF THIS PRODUCT.</p>	
<p>PRODUCT NAME: GLOBE VALVE</p>	<p>SKU: GLOBEVAL</p>
<p>MANUFACTURER: YARDNEY WATER MANAGEMENT SYSTEMS, INC.</p>	<p>DATE: 02/2008</p>



DIAPHRAGM VALVE
(WIRED BY CUSTOMER)

BALL VALVE
(WIRED BY CUSTOMER)

THIS DRAWING, INCLUDING THE INFORMATION IT CONTAINS, IS CONFIDENTIAL, PROPRIETARY AND IS THE PROPERTY OF YARNEY WATER MANAGEMENT, INC. IT IS SUBMITTED ONLY IN CONNECTION WITH THE TRANSACTION TO WHICH IT PERTAINS AND MUST NOT BE USED IN ANY OTHER MANNER DETRIMENTAL TO THE INTERESTS OF YARNEY WATER MANAGEMENT. THE DRAWING IS NOT TO BE COPIED AND MUST BE RETURNED UPON REQUEST.
COPYRIGHT YARNEY WATER MANAGEMENT SYSTEMS, 1994



APPROVALS			DATE	
D	WIRING NUMBERING WAS INCORRECT FIXED	DTD	10-08	APP
C	UPDATED WIRING NUMBERS	DTC	11-05	APP
B	REMOVED EXTRA SOV (6)	DTC	3-05	APP
A	WIRING NUMBER CHANGES	KAT	3/11/97	APP
SYM	REVISIONS	BY	DATE	APP

DRAWN BY: JMW	3/10/03	CONTROL, PANEL WIRING	
CHECKED BY:		SIZE	DWG NO:
APPROVED BY:		-	BALL-DIAPHRAGM
ARCHITECTURAL SCALE:		SCALE:	DWG DIR: ELECTRICAL PURGE CONTROLLER
USED ON:		SHEET	1 OF 1

SEPARATOR AUTOMATIC PURGE SYSTEM 120 VOLT 60 HZ INPUT

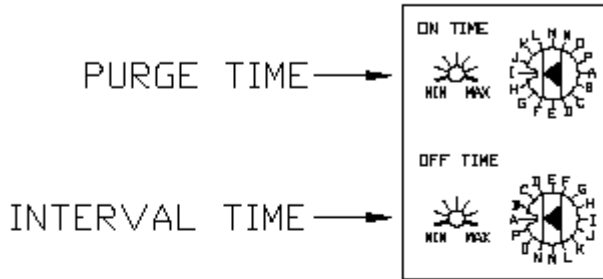


FIG. 1 - RELAY FACE

DIAL SETTING	TIMING RANGE
A	0.6 - 2.5 SEC.
B	1.5 - 5 SEC.
C	2.5 - 10.5 SEC.
D	5 - 21 SEC.
E	10 - 42 SEC.
F	0.4 - 1.4 MIN.
G	0.7 - 2.8 MIN.
H	1.5 - 5.5 MIN.
I	3 - 11 MIN.
J	5.5 - 22.5 MIN.
K	11 - 45 MIN.
L	0.4 - 1.5 HR.
M	0.8 - 3 HR.
N	1.5 - 6 HR.
O	3 - 12 HR.
P	6 - 24 HR.

NOTES

CONNECT PURGE VALVE AS SHOWN ON WIRING DIAGRAM

FIG. 2 - KNOB SETTINGS

THIS DRAWING INCLUDING THE INFORMATION IT CONTAINS IS CONFIDENTIAL, PROPRIETARY, AND IS THE PROPERTY OF YARNEY WATER MANAGEMENT, INC. IT IS LOANED ONLY IN CONNECTION WITH THE TRANSACTION TO WHICH IT PERTAINS AND MUST NOT BE USED IN ANY OTHER MANNER DETRIMENTAL TO THE INTERESTS OF YARNEY WATER MANAGEMENT. THE DRAWING IS NOT TO BE COPIED AND MUST BE RETURNED UPON REQUEST.				 Yardney WATER MANAGEMENT SYSTEMS RIVERSIDE, CALIFORNIA	
		APPROVALS	DATE	CONTROL PANEL WIRING	
		DESIGN	DATE		
		CHECKED BY	DATE	PART NO. CONTROL32D REV. A	
		BY	DATE		
A	UPDATED NOTES	DATE	BY	DRAWN BY: CONTROL VALVE EXPERTS REV. 2 OF 1	
CTR	REVISED	DATE	BY		